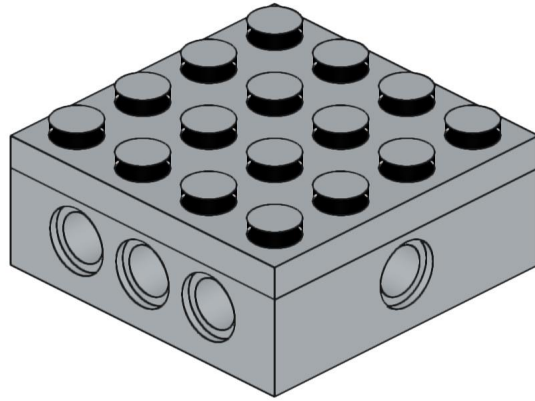
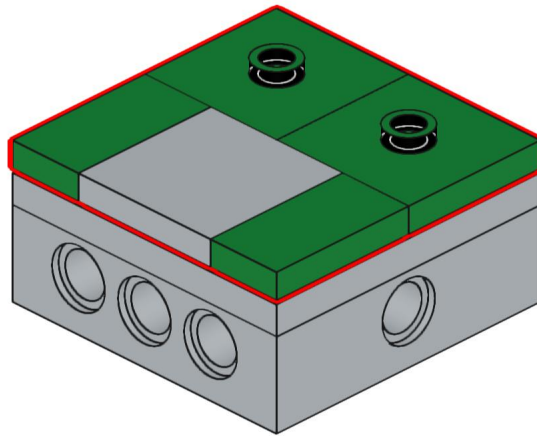
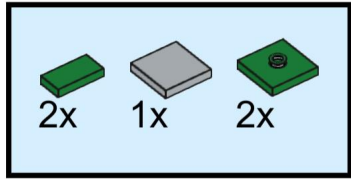


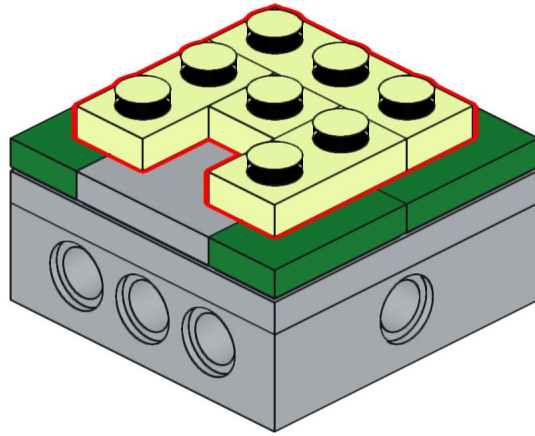
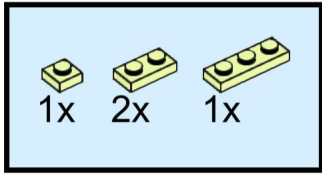
1



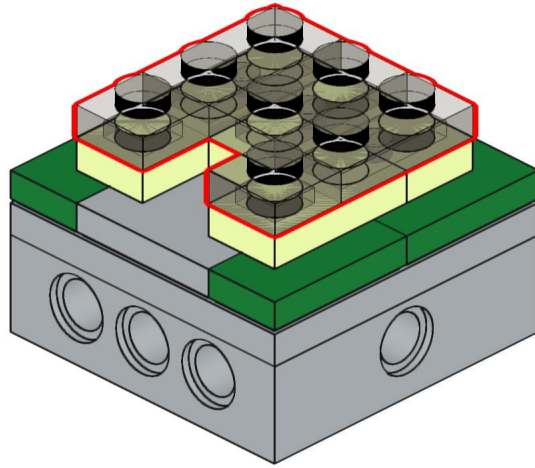
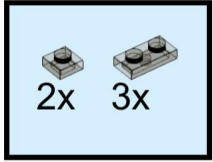
2



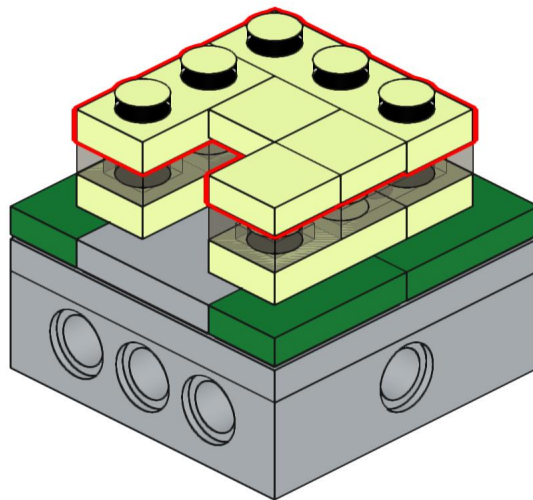
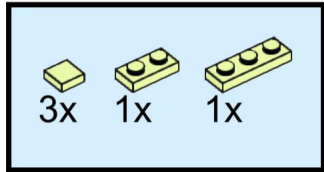
3



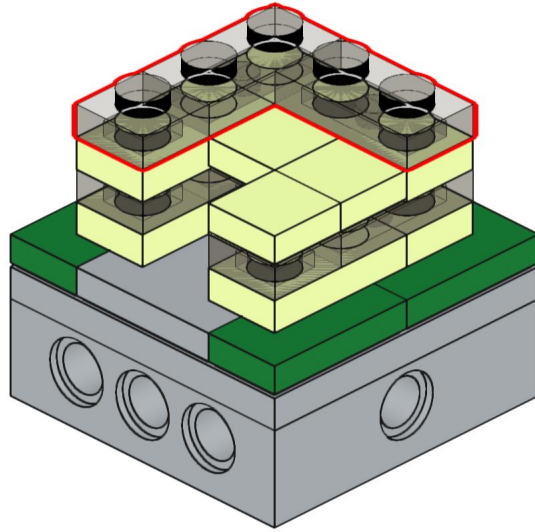
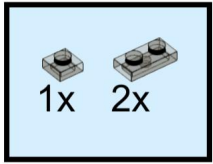
4



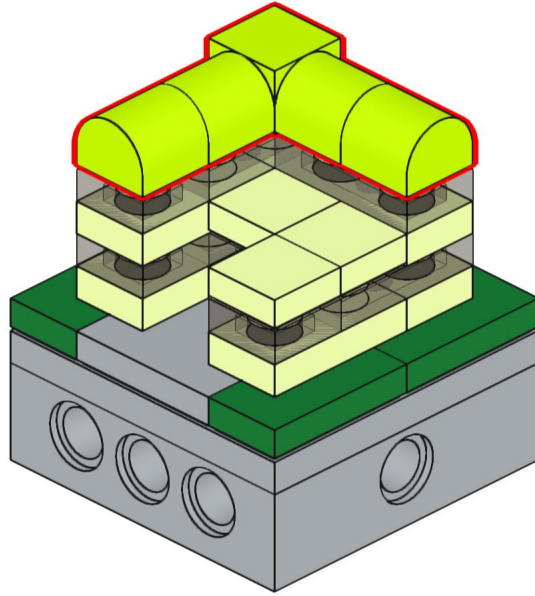
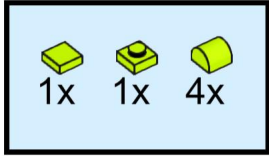
5



6



7




1x
3068
Light Bluish Gray


3x
3070
Yellowish Green


5x
3023
Trans-Brown


1x
3031
Light Bluish Gray



1x
3024
Yellowish Green


3x
3023
Yellowish Green


1x
32324
Light Bluish Gray


2x
3623
Yellowish Green


2x
3069
Green


1x
3070
Lime


1x
3024
Lime


4x
49307
Lime


2x
87580
Green


3x
3024
Trans-Brown